

**Designer:** Marco Comini

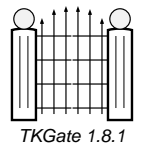
**Site:** cominipm.dimi.uniud.it

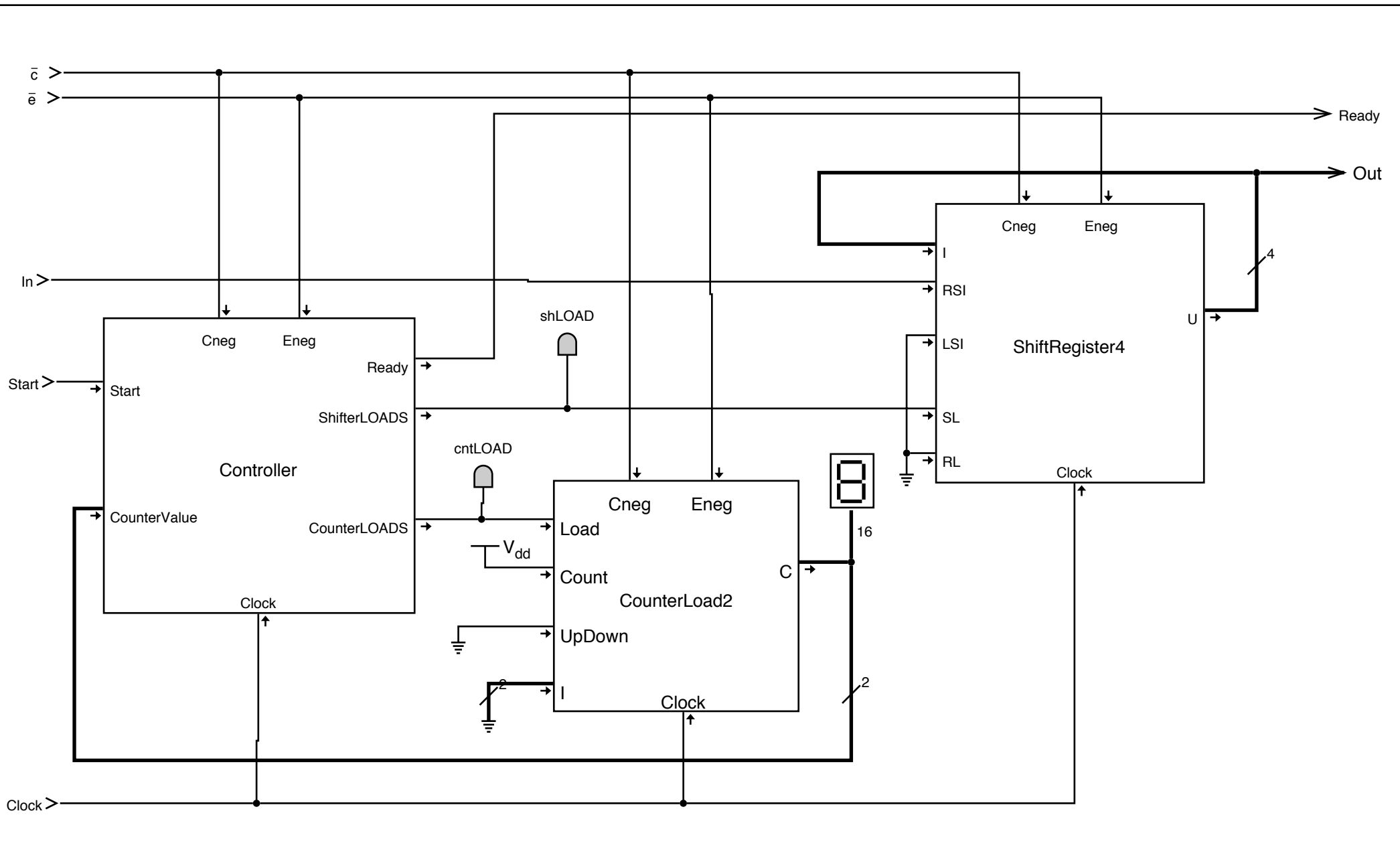
**Date:** January 30, 2004

**Document:** SerialParallelConverter.v

**Page:** 9 of 9

**Module:** main





**Designer:** Marco Comini

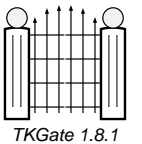
**Document:** SerialParallelConverter.v

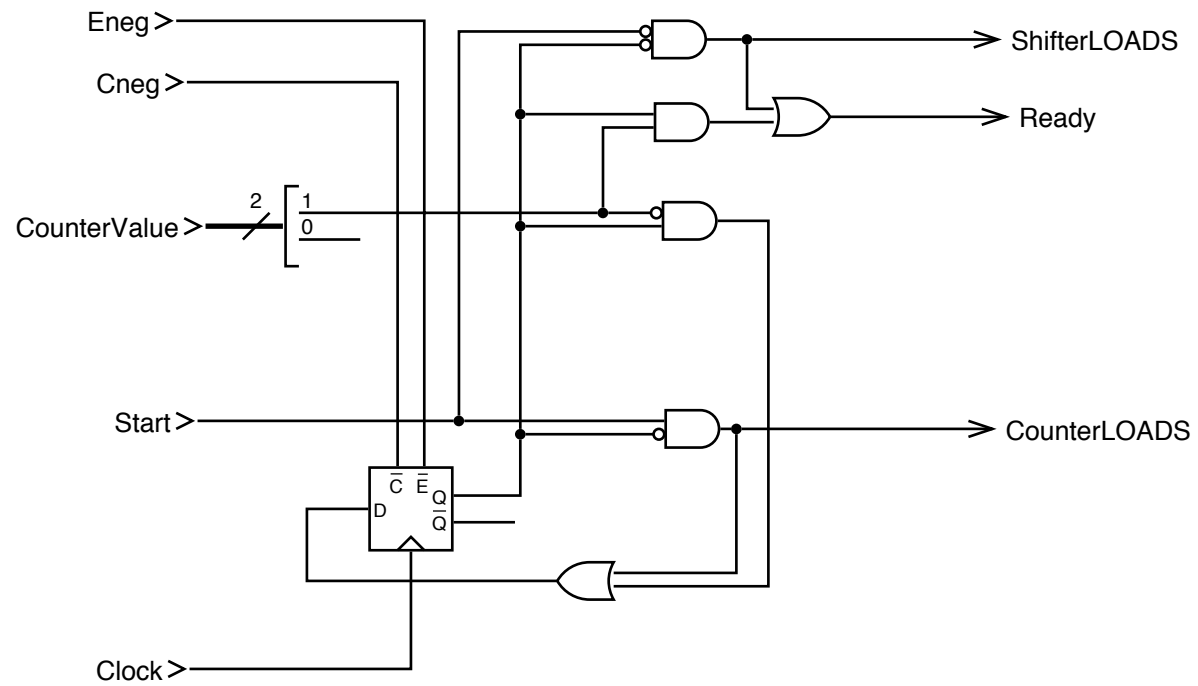
**Site:** [cominipm.dimi.uniud.it](http://cominipm.dimi.uniud.it)

**Page:** 8 of 9

**Date:** January 30, 2004

**Module:** SerialParallelConverter





**Designer:** Marco Comini

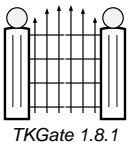
**Site:** cominipm.dimi.uniud.it

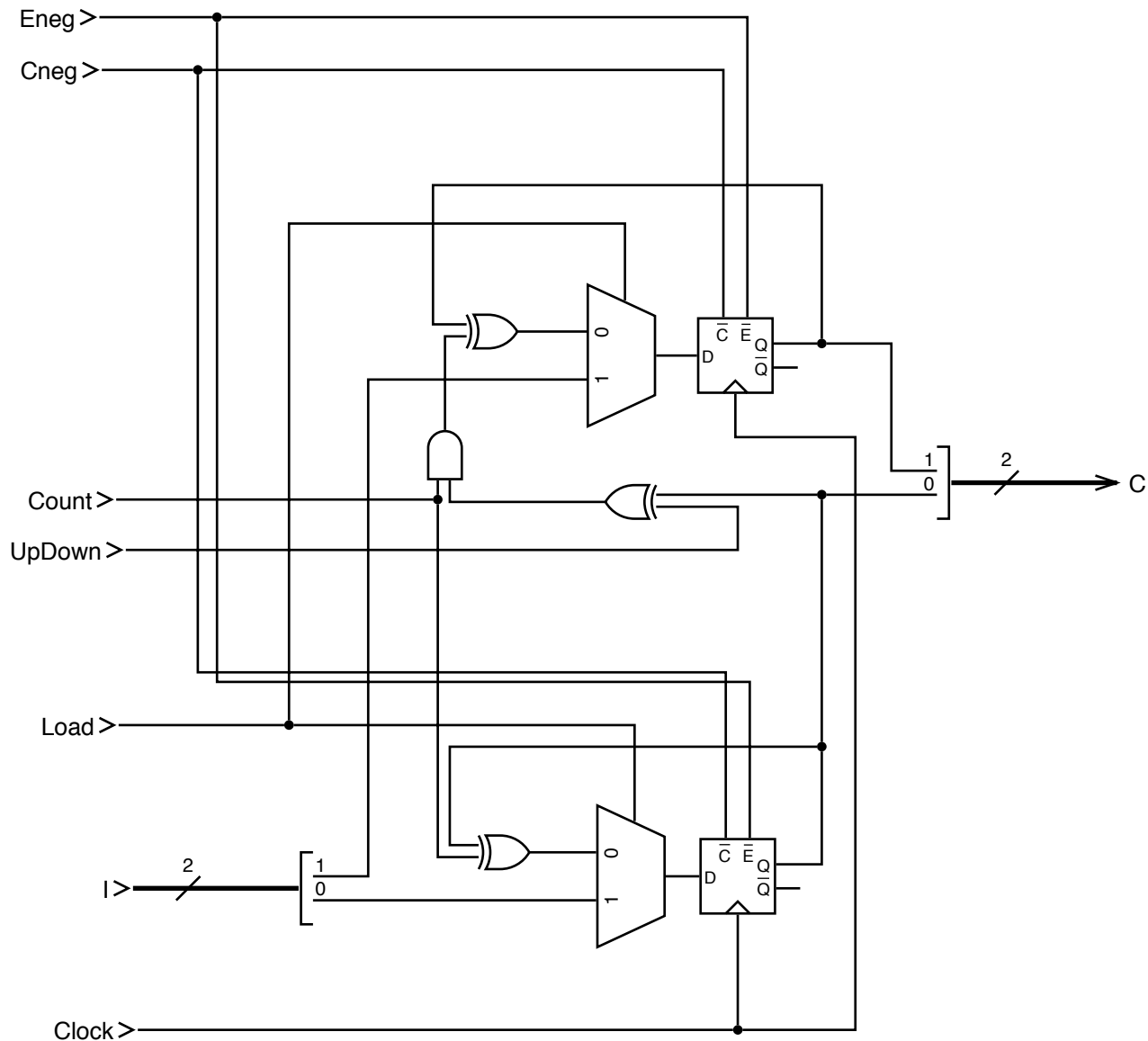
**Date:** January 30, 2004

**Document:** SerialParallelConverter.v

**Page:** 5 of 9

**Module:** Controller





**Designer:** Marco Comini

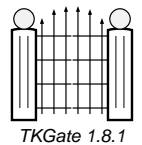
**Site:** cominipm.dimi.uniud.it

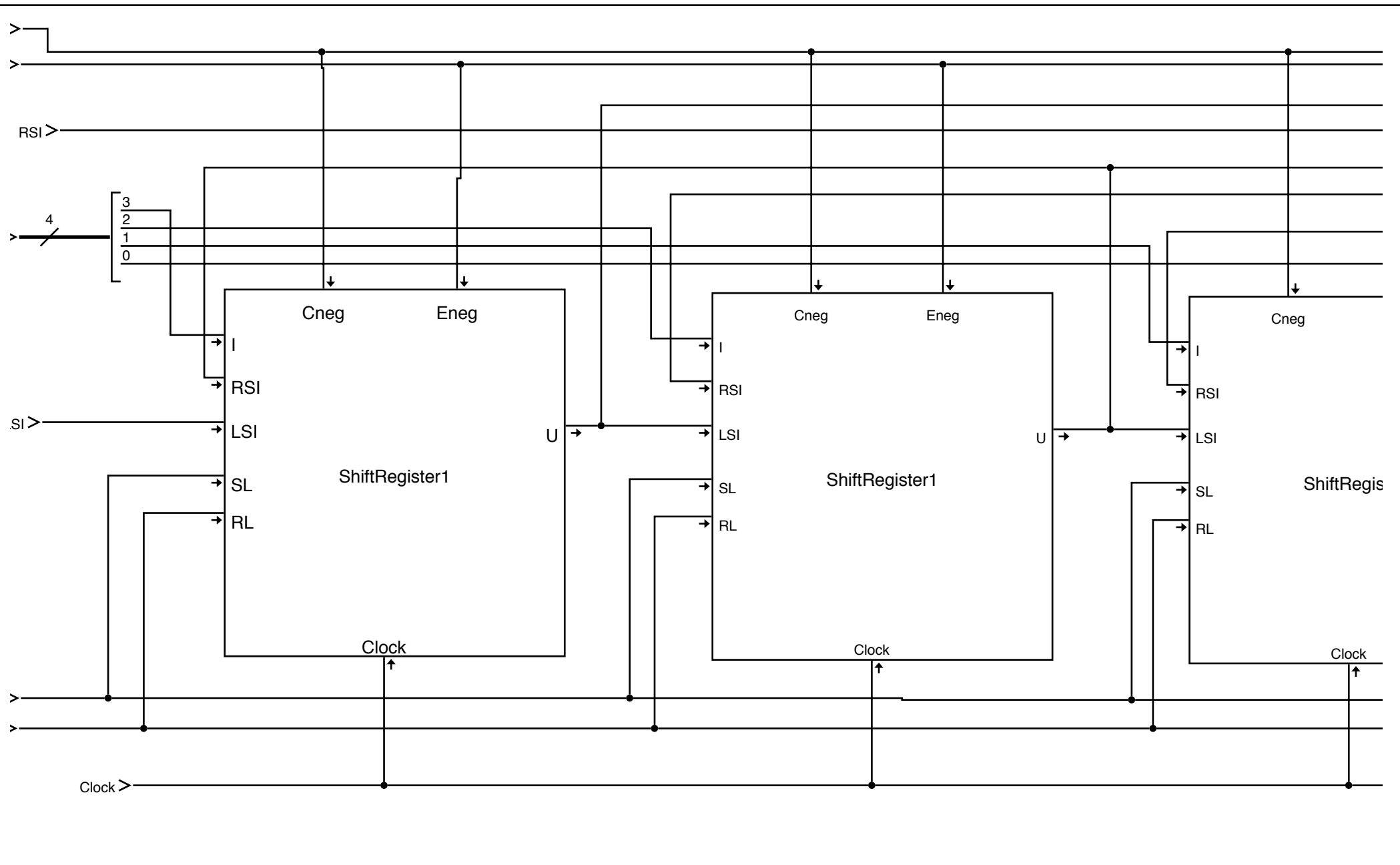
**Date:** January 30, 2004

**Document:** SerialParallelConverter.v

**Page:** 4 of 9

**Module:** CounterLoad2





**Designer:** Marco Comini

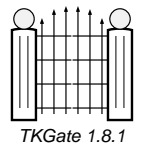
**Site:** [cominipm.dimi.uniud.it](http://cominipm.dimi.uniud.it)

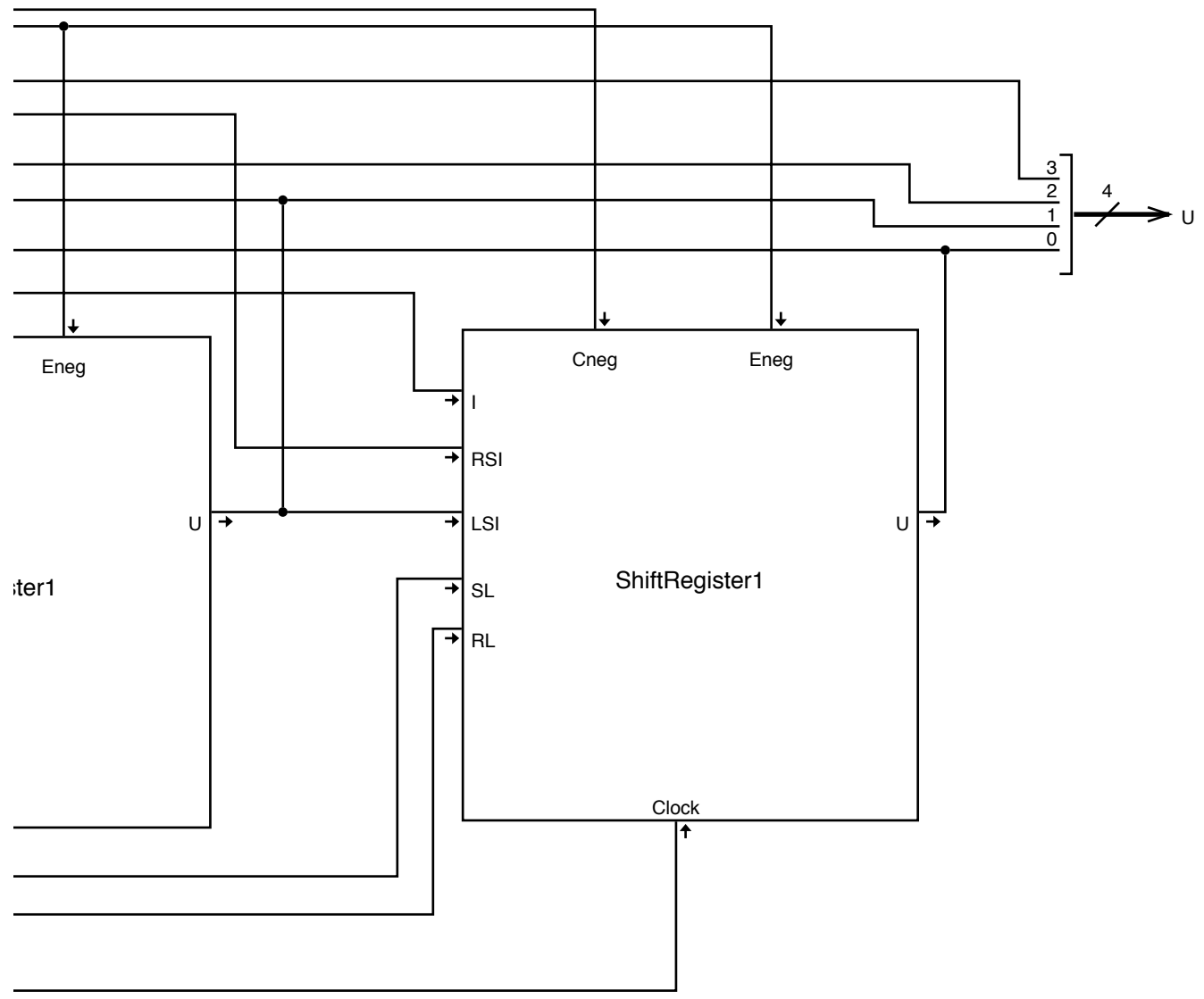
**Date:** January 30, 2004

**Document:** SerialParallelConverter.v

**Page:** 6 of 9

**Module:** ShiftRegister4





**Designer:** Marco Comini

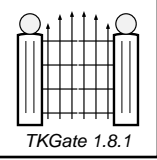
**Site:** cominipm.dimi.uniud.it

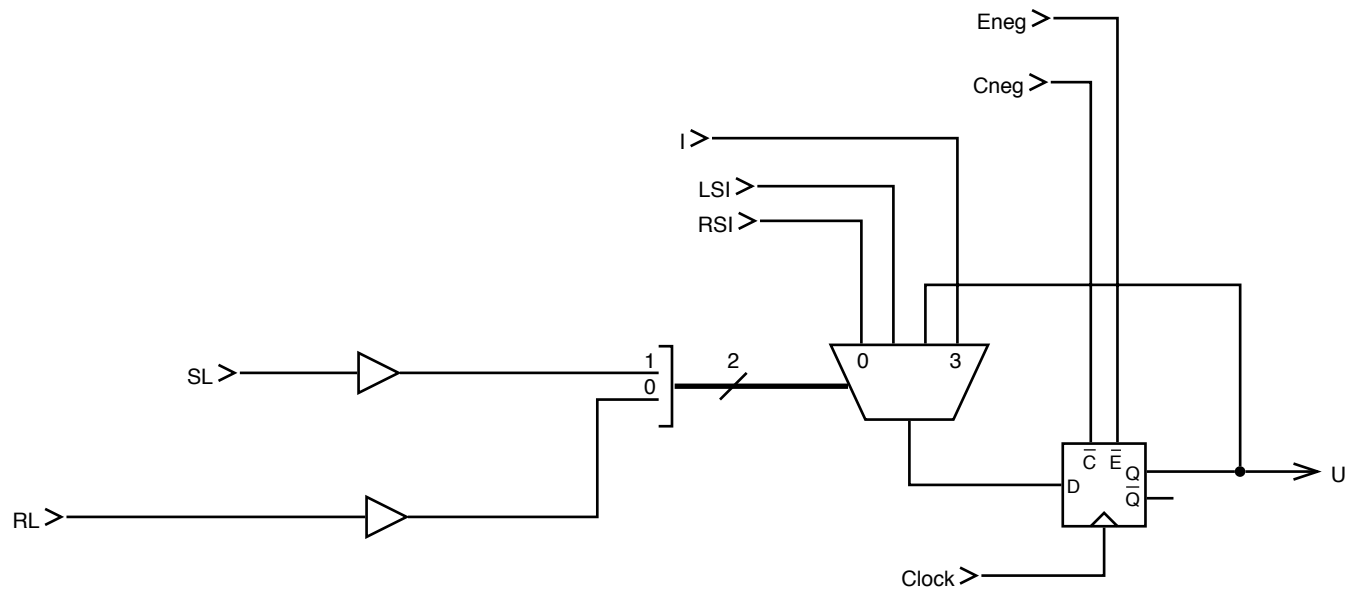
**Date:** January 30, 2004

**Document:** SerialParallelConverter.v

**Page:** 7 of 9

**Module:** ShiftRegister4





**Designer:** Marco Comini

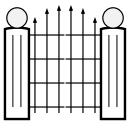
**Site:** cominipm.dimi.uniud.it

**Date:** January 30, 2004

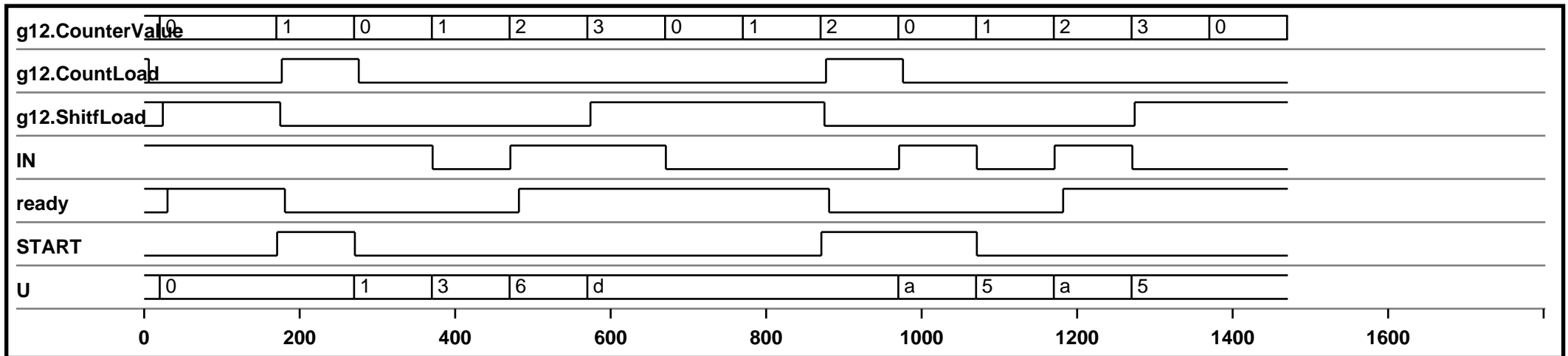
**Document:** SerialParallelConverter.v

**Page:** 3 of 9

**Module:** ShiftRegister1



TKGate 1.8.1



**Designer:** Marco Comini

**Site:** cominipm.dimi.uniud.it

**Date:** January 30, 2004

**Document:** SerialParallelConverter.v

**Page:** 1 of 1

**Interval:** 0-1471

