

P = 100 φ = 0 D = 50

Designer: Marco Comini

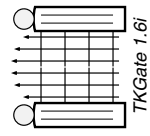
Site: cominipm.dimi.uniud.it

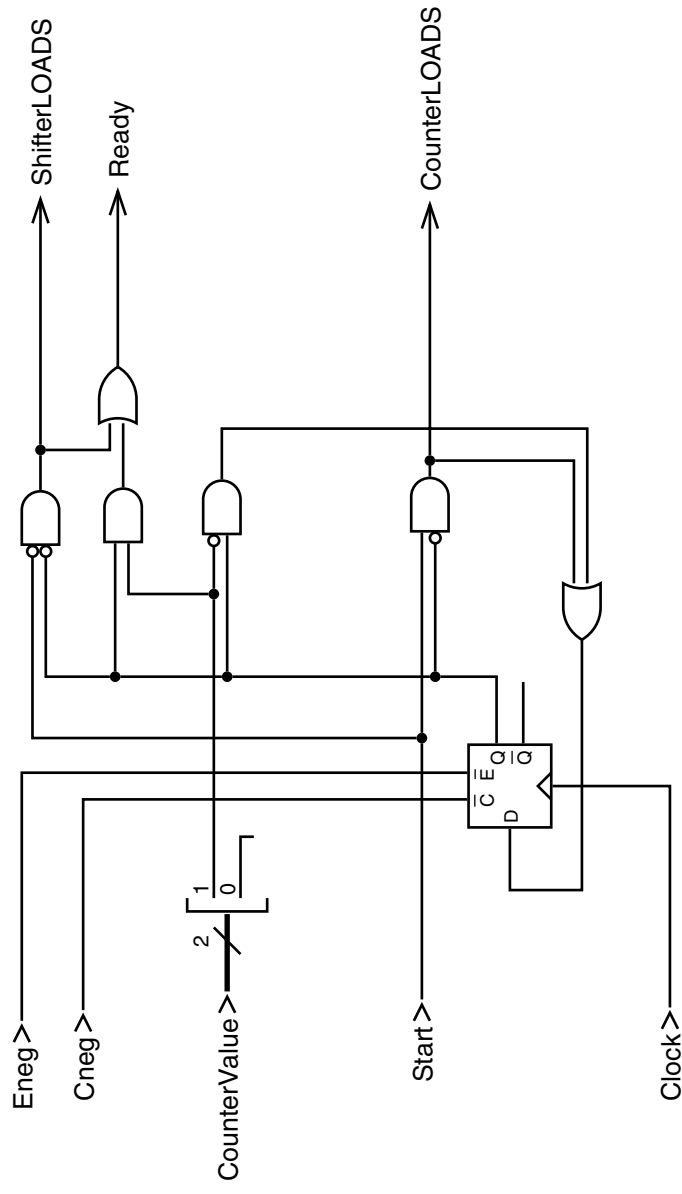
Date: February 4, 2003

Document: Serial To Parallel Converter

Page: 5 of 5

Module: main





Designer: Marco Comini

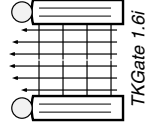
Site: cominipm.dimi.uniud.it

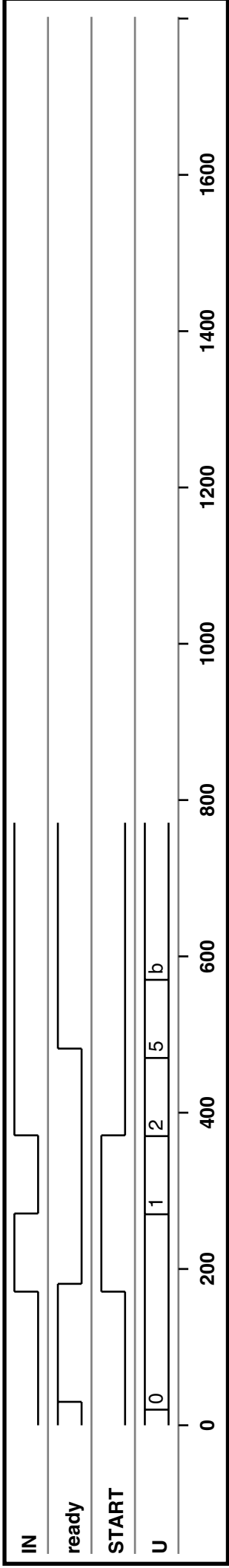
Date: February 4, 2003

Document: Serial To Parallel Converter

Page: 3 of 5

Module: Controller





Designer: Marco Comini	Document: Serial To Parallel Converter Trace
Site: cominipm.dimi.uniud.it	Page: 1 of 1
Date: February 4, 2003	Interval: 0-800

